

THE ALL-NEW MACK® MD SERIES

BUILT FOR GROWTH.



MACK MD6

Dependability, durability and steadfast support—everything you've come to expect from Mack is now available in a medium-duty truck. We're proud to introduce the Mack MD Series. These trucks, like the Mack MD6, are packed from the exterior to the driver environment with features that ensure a smooth, stress-free ride—backed by our unmatched local dealer support when you need it. We've taken care of the details so you can focus on growing your business.

BORN READY.

MACK® MD6

KEY FEATURES

Cab air suspension (standard)

Full-width aluminum grated steps for easy entry and egress, horizontally offset for visibility (standard)

50-gallon fuel tank (standard), 90-gallon (optional)

Frame rails rated at 120,000 psi yield strength (standard)

34-inch assembled frame width

Rear leaf spring suspension (standard), Mack AirRide (optional)*

*Mack Maxlite air ride available on select wheelbases only.

Tires 11R22.5 All Season (standard), Rear Traction tires (optional)

Steel powder coat disc wheels (standard), aluminum wheels (optional)

Passenger door lower peep window (standard)

Flat back-of-cab and clear frame platform for easy body installation

Wheelbases to accommodate 10- to 26-foot typical van bodies

Clear areas on driver and passenger side frame rails



Comfortable Interiors

The Mack MD6 brings heavy-duty levels of driver comfort and functionality to medium-duty trucks, to keep drivers comfortable and safe all day. Tilt/telescoping steering column, air suspension driver seat and all controls within reach keep drivers in control.

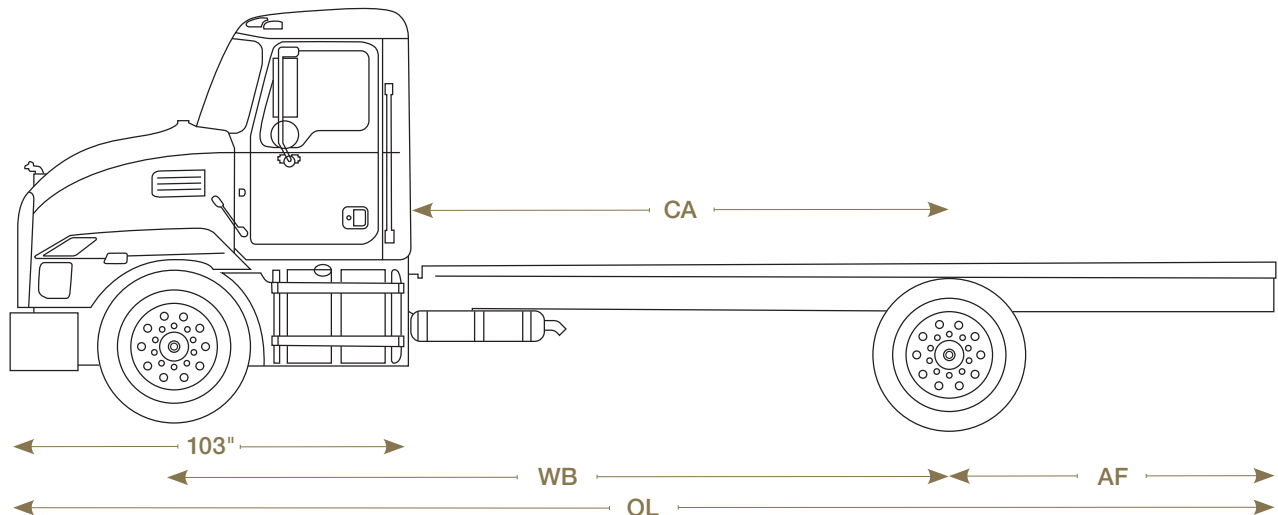
All Day Uptime

Mack uses Geotab to integrate the MD6 into our industry-leading Uptime Services. Mack's ASIST platform streamlines and shares all service communications among the customer, dealer and Mack's 24/7 Uptime Center.

| | | | | | | | | | |
|-----------------------------|----------|--------|--------|--------|--------|--------|--------|--------|--------|
| Typical Dry Van Body Length | (ft.) | 10 | 12/14 | 16 | 18 | 20 | 22 | 24 | 26 |
| Wheelbase* | WB (in.) | 150 | 166 | 186 | 206 | 221 | 236 | 251 | 270 |
| Cab to Rear Axle | CA (in.) | 87 | 103 | 123 | 143 | 158 | 173 | 188 | 207 |
| After Frame | AF (in.) | 50 | 55 | 60 | 65 | 70 | 80 | 90 | 100 |
| Overall Length Chassis | OL (in.) | 240 | 261 | 286 | 311 | 341 | 356 | 381 | 410 |
| GVWR | (lb.) | 25,995 | 25,995 | 25,995 | 25,995 | 25,995 | 25,995 | 25,995 | 25,995 |
| Front Axle Capacity | (lb.) | 10,000 | 10,000 | 10,000 | 10,000 | 10,000 | 10,000 | 10,000 | 10,000 |
| Rear Axle Capacity | (lb.) | 17,000 | 17,000 | 17,000 | 17,000 | 17,000 | 17,000 | 17,000 | 17,000 |
| Front Axle Weight | (lb.) | 6,080 | 6,210 | 6,250 | 6,315 | 6,345 | 6,395 | 6,440 | 6,470 |
| Rear Axle Weight | (lb.) | 3,490 | 3,425 | 3,450 | 3,470 | 3,515 | 3,550 | 3,590 | 3,640 |
| Total Chassis Weight** | (lb.) | 9,570 | 9,635 | 9,700 | 9,785 | 9,860 | 9,945 | 10,030 | 10,110 |

*Wheelbase selection should be based on specific weight distribution.

**Total Chassis Weight is for standard specifications EXCLUDING driver and fuel.



MACK® MD6

| | |
|--------------------------|--|
| ENGINE | Cummins B6.7 Inline 6-cylinder, Turbo/Intercooled Diesel |
| Horsepower/Torque | 220 hp/600 lb. ft. |
| | 240 hp/560 lb. ft. |
| | 250 hp/660 lb. ft. |
| | 260 hp/660 lb. ft. |
| | 280 hp/660 lb. ft. |
| 300 hp/660 lb. ft. | |
| Air Cleaner Type | 11 inch |
| Alternator | Delco 12V, 145 amp |
| Batteries | Dual 760CCA (1520 total CCA) |
| Engine Brake | Cummins, with dash switch |
| Fuel Filter | Filter and Water Separator |
| | Heated, Fuel and Water Separator |
| Starter | Melco12V |

| | | | | | | |
|--------------------------------|---|--|------|------|------|------|
| TRANSMISSION | STANDARD Allison 2500HS 6-speed, double OD rated to 660 lb. ft. torque, w/Fuel Sense 2.0 Plus | OPTIONAL Allison 2500RDS 6-speed, double OD rated to 660 lb. ft. torque, w/Fuel Sense 2.0 Plus | | | | |
| | | | | | | |
| Rear Axle Ratios | 5.29 | 5.57 | 5.83 | 5.29 | 5.57 | 5.83 |
| Est Engine RPM @ 65 mph | 1906 | 2018 | 2112 | 1916 | 2018 | 2112 |

| | |
|------------------------|-------------------------------------|
| FRONT AXLE | |
| GAWR | 10,000 lbs. |
| Axle Type | Meritor MFS-10, I-Beam |
| Suspension | Hendrickson Taper Leaf, 10,000 lbs. |
| Shock Absorbers | Telescopic type |

| | |
|-------------------------------|----------------------|
| CHASSIS FRAME | |
| Rail Dimensions | 260 x 70 x 7 mm |
| Yield Strength and RBM | 120k psi, 1,373m RBM |
| Assembled Width | 34 inches (864 mm) |

| REAR AXLE | STANDARD | OPTIONAL | OPTIONAL | OPTIONAL | OPTIONAL | OPTIONAL |
|--------------------------------------|----------------------|-----------------|-----------------|----------------------|-----------------|-----------------|
| GAWR (lb.) | 17,000 | 17,500 | 19,000 | 19,000 | 21,000 | 21,000 |
| Axle Type – Meritor | MS-17-13x | MS-17-14x* | MS-19-13x | MS-19-14x* | MS-21-13x | MS-21-14x* |
| Suspension – Taper Leaf (lb.) | 19,000 | | | 21,000 | | |
| Suspension – Optional (lb.) | Mack AL 190 19,000** | | | Mack AL 210 21,000** | | |

| | |
|--------------------------------|--|
| CAB | Steel cab with Premium trim level |
| Air Conditioning | Standard |
| Audio | AM/FM with Bluetooth |
| Cab Lighting | Interior courtesy lights (2) |
| Cab Mirrors | Bright finish with lower convex mirror |
| Cab Suspension | Dual airbag cab suspension |
| Cruise Control | Standard |
| Cup Holders | Two large cup holders in console |
| Passenger Door Window | Lower door window with lens |
| Power Outlets | 12 volt and USB |
| Power Steering | Standard |
| Power Windows and Locks | Standard |
| Pro Dash | Premium dash cluster |
| Seat Driver | High back, air suspension w/vinyl trim |
| Seat Passenger | High back, fixed base w/vinyl trim |
| Steering Column | Tilt and Telescopic |
| Steering Wheel | Flat-bottom steering wheel |
| Sun Visors | Driver and Passenger |

| | |
|----------------------|--|
| BRAKE SYSTEM | Bendix Antilock Braking System “S” Cam Air Brake System |
| Front Brakes | Meritor S Cam, 16.5" x 5" in. |
| Rear Brakes | Meritor S Cam, 16.5" x 7" in. |
| Parking Brake | Rear axle, spring brake |

| | |
|------------------|---------------------------------------|
| FUEL TANK | Round 22 in., driver-side. 50 gallons |
| | Round 22 in., driver-side. 90 gallons |
| DEF TANK | 25 liter, passenger-side |

| | |
|---------------|--|
| WHEELS | Accuride steel disc, powder coated white wheels 8.25 x 22.5 in., offset 6.6 in., 5-hole |
| | Accuride aluminum wheels 8.25 x 22.5 in., offset 6.59 in.; 10-hole |
| TIRES | Bridgestone R268 Ecopia radials All season, all position, 11R22.5 (G) |
| | Bridgestone M760 Ecopia radial Traction, rear position, 11R22.5 (G) |

□ Shaded areas indicate optional equipment.

*14x and driver controlled differential lock, Rear axle option equipped with driver controlled differential lock.

**Rear air suspension available on 206-, 221-, 236-, 251- and 270-inch wheelbases only.

MACK® MD6



| WARRANTY SUMMARY | MD Series Models MD6, MD7 |
|--|---|
| Typical Vocations | Distribution, Short Haul or P&D |
| Axle Configuration | 4 x 2 |
| Basic Coverage | 24 months/unlimited miles* |
| Batteries | 12 months/unlimited miles |
| Chassis Towing | 90 days or 5,000 miles (8 047 KM), whichever occurs first* |
| Air Conditioning | 24 months/unlimited miles – air conditioning (sealed system only) |
| Engine/Emission | Warranty coverage provided by Cummins Engine |
| Transmission | Warranty coverage provided by Allison Transmission |
| Driveline, Rear Axle, Front Steer Axle | 24 months/unlimited miles* |
| Cab Structure and Internal Cab Corrosion | 60 months/unlimited miles* |
| Frame Rail/ Cross Members | 60 months/unlimited miles* |
| Noise Emission | Life of vehicle* |

*See complete warranty certificate for details.

Shaded areas indicate optional equipment.

All illustrations, specifications and descriptions in this specification are based on the latest product information available at the time of this publication. The right is reserved to make changes in price, materials, equipment, design, specifications, diagrams and models, and to discontinue models of equipment at any time, without notice and without incurring any obligation whatsoever. For more information on additional options and accessories, contact Mack Trucks, Inc. (www.macktrucks.com).

| UPTIME SUMMARY | MD Series Models MD6, MD7 |
|----------------------------|--|
| Mack OneCall™ | 12 months |
| Mack ASIST | 12 months |
| Geotab Basic | 12 months |
| PURCHASE OPTIONS | |
| Mack OneCall | 24-60 months, in 12 mo. increments |
| Mack ASIST | 24-60 months, in 12 mo. increments |
| Geotab Basic | 24-60 months, in 12 mo. increments |
| Geotab Plus | 12-60 months, in 12 mo. increments |
| OTHER OPTIONS | |
| Allison Programming | Fuel Sense 2.0 MAX |
| Battery Shut Off | Under cab, passenger side |
| Engine Block Heater | |
| Air Filter Indicator | Under hood, restriction indicator mounted to air cleaner |
| PTO Preparation Kit | Harness and switch kit |
| Cab Mirrors | Chrome finish and convex mirror heated and motorized |
| Passenger Seat | Two-person bench seat w/vinyl and under seat storage |
| Drivers Seat Trim | Modura cloth upgrade seat upholstery |
| Passenger Seat Trim | Modura cloth upgrade seat upholstery |
| Passenger Bench Trim | Modura cloth upgrade seat upholstery |

